



## Crepe Maker Instruction Manual



FSECM-0505FSECM-0905

Shinelong International Co., Ltd

Web: <http://www.furnotel.cn>

E-mail: [info@furnotel.cn](mailto:info@furnotel.cn)

Fax: +86 20-34709972

TEL: +86 20-34709971

Address: 301, Building 1, Tian An Hi-tech Ecological  
Park Panyu Avenue Panyu, Guangzhou, China

Thank you for purchasing this range of appliance of our company. Proper attention to preventative maintenance and scheduled maintenance procedures will prolong the life of the appliance.

**Warning:**

Improper installation, adjustment, alteration, service or maintenance can cause property damage, injury or death. Read the installation, operation and maintenance instructions thoroughly before installing or servicing this appliance.

**For your safety**

Do not store gasoline or other flammable liquids in the vicinity of this or any

**Warning: Fair Hazard**

The area where the appliance is installed must be kept clear of combustibles and flammables. This includes mops, rags, grease, wrapping paper and electrical cords.

**Warning**

**Electrical Grounding Instructions**

This appliance is equipped with a three-prong (grounding) plug for your protection against shock hazard and should be plugged directly into a properly grounded three-prong receptacle. Do not cut or remove the grounding prong from this plug. If the output exceeds a certain value, the plug will not be used. Connect the wire to a suitable air switch.

**Notice**

This appliance is designed for use in non-combustible locations only. Install the appliance on a firm, level, non-combustible surface.

For servicing, a clearance of 6 inches (15cm) from rear of the appliance to wall should be kept

**1. General information**

**1.1 Information about the instruction manual** This instruction manual contains information about the installation, operation and maintenance of the

appliance and should be consulted as an important source of information and reference guide. Awareness of the safety instructions and instructions for use in this manual will ensure the safe and correct use of the appliance.

### **1.2 Other regulations**

In addition to the information given here, you should comply with any local Health and Safety Controls and generally applicable safety regulations. The instruction manual forms part of the product and should be kept near the appliance and easily accessible for anyone carrying out the installation, servicing, and maintenance or cleaning.

### **1.3 Note**

Read the instruction manual carefully before using the appliance. The user's manual should be kept near the appliance, easily accessible for anyone to operate the unit. We reserve the right to make technical changes for purposes of developing and improving the useful properties.

## **2. Safety**

This section provides an overview of all important safety aspects.

Attention should be paid to all symbols, markers and labels on the device, which must be kept in a permanent state of legibility. By following all the important safety advice you gain an optimal protection against all hazards as well as the assurance of a safe and trouble-free operation.

**2.1 General Information** This device is designed in accordance with the presently applicable technological standards. However, the device can pose a danger if handled or operated improperly and inappropriately. Knowing the contents of the user's manual as well as avoiding mistakes and thus operating this device safely and in a fault-free manner is very essential to protect yourselves from the hazards. To prevent hazards and to ensure optimum efficiency, no modifications or alterations to the device that are not explicitly approved by the manufacturer can be undertaken. This device may only be operated in safe condition following the user's manual.

### **2.2 Safety instructions for the commercial use of the device**

The appliance is intended for commercial use only, and should never be used for purposes other than stated above. The regional territorial provisions must be complied with. Besides the industrial safety instructions in the instruction manual, the general safety and accident prevention regulations as well as environment protection regulations applicable for area of application of the device must be followed and complied with.

The device should be never left unattended during operation. Special attention should be paid to when the unit is in use, if the children are near the appliance. This manual is considered to be a permanent part of the appliance. Preserve

this manual safely for the reference of operators. When passing on/selling the device to a third party, the manual must be handed over along with the device. Every person using the unit must act in accordance to the manuals and under consideration of the safety advice

Never use the unit outdoors.

### 2.3 Intended use

CAUTION! Any use other than intended purpose is forbidden and is not considered as conventional.

## 3. Packaging and storage

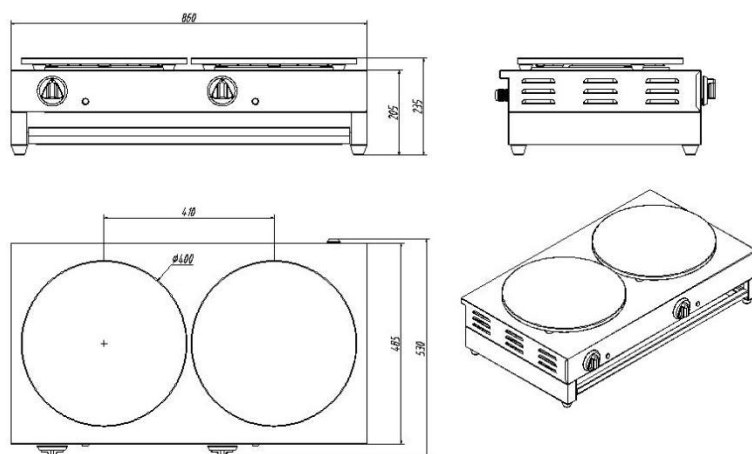
**3.1 Packaging** Please do not throw away the packing materials as they might be useful for storage purposes, when moving or, in case of damages, when the unit must be sent back for repair. The outer and inner packing material should be removed completely from the device before installation.

NOTE! Some of the packing materials are re-usable.

**3.2 Storage** Do not open the packages until installation. Pay attention to the markings on the carton surface. Do as the markings indicate. Do not put the whole appliance with the carton upside down. Care should be taken when moving the appliance. Do not store outdoors. Keep it dry and dust-free and had better be put in a well-ventilated area. Do not expose it to aggressive media. Do not expose it to direct sunlight. Avoid mechanical shocks and vibration. In case of longer storage (> 3 months), make sure you check the state of the packaging regularly.

## 4. Technical data

Model	Voltage (V)	Frequency (Hz)	PowerInput (W)	Dimension (mm)
FSECM-0505	220~240	50/60	3000	450×485×235
FSECM-0905	220~240	50/60	6000	860×485×235



## 5. Installation and operation

### 5.1 Safety instructions

#### **WARNING!**

##### **Electrical hazard!**

The appliance should be connected to a suitable power receptacle. The outside body should be earthed properly. Never yank or pull the power cord violently to disconnect from outlet. Touch of power cord with any hot parts is absolutely forbidden.

#### **WARNING! Danger of burning!**

During operation, hot plate of the appliance may be very hot. Try to avoid getting burnt and never touch any hot parts without gloves on.

- Note that the power cord should never touch any heat sources or sharp edges. Never let the power cord dangle over the counter edge.
- Stop using the appliance immediately if malfunctions of the unit occur. Unplug the appliance.
- Do not use any accessory or spare parts that have not been recommended or designated by the manufacturer. This can pose a danger for the user or lead to damages of the appliance or personal injury.
- Do not lay the power cord over carpets or heat insulations. Do not cover it with any other objects. Keep away the power cord from operating range and do not immerse it into water.
- Never touch the power cord, plug or the switch when your hands are wet.
- Do not leave the unit unattended during operation.
- Never move or reposition the unit until the unit cools down completely.
- **WARNING!** Hazard via electrical current! Make sure that the voltage of local power supply matches that of the naming plate.
- Behind the housing, there is a copper-material equipotential terminal. The cross section area of the connecting wire should not be lower than  $1.5\text{mm}^2$ .
- The hot plate may be quite hot during operation. Keep your hands off the hot plate.

### 5.2 Installation and connection

ATTENTION!

The installation of the unit must be performed by a qualified technician only. Place the device on top of a solid, even, safe and stable surface that tolerates the weight. Level it back and forth. Then level it side to side.

Not at any time should you place the appliance on top of an inflammable surface (such as: table cloth, carpet, etc.).

You must not locate the appliance near open fireplaces, electric ovens, electric heaters or other heat sources.

Position the device appropriately so that the plug is always accessible.

Make sure liquids enter neither the electrical system nor the switch. Dry off the device thoroughly!

### **5.3 Operating**

#### **ATTENTION!**

The operation of the device may only be carried out by personnel that have been instructed in operation of the device

Connect the wire to suitable power supply. The maximum temperature is 300°C. Rotate the thermostat knob clockwise to the desired temperature scale.

The unit would heat up gradually. When the set temperature has been reached, the power supply would be cut off automatically. When the temperature is lower than its set value, the heating function would resume.

When a day's work has been finished, rotate the thermostat knob anti-clockwise to its original starting position. Shut the power supply off. If something unusual occurs, you had better call a qualified technician for repair.

## **6. Transportation, Cleaning and maintenance**

### **6.1 Transportation**

In the process of transportation, the appliance should be handled carefully, preventing the intense shaking. The packaged appliance should be stored in a well-ventilated area free of caustic air. It cannot be placed in the outside area and should never be put upside down. Keep it dry and dust-free. Do not expose it to direct sunlight. Avoid mechanical shocks and vibrations. If it is for temporary storage, the weather-proof method should be taken.

### **6.2 Safety advice**

Before start repairing or cleaning works, make sure the unit has been disconnected from power socket (pull off the power plug!!!) and has cooled down completely.

Do not use any acid or abrasive detergents and make sure no water runs into the internal part of the unit.

To protect yourself from electric shock, never immerse the unit, the power cord and the plug in water or other liquids.

**CAUTION!** The appliance is not jet-proofed. Therefore, you must not use any

kind of pressure water jet for cleaning it!

### **6.3 Cleaning**

The device should be cleaned regularly.

Pull the power plug and cut off the power cord before cleaning. Make sure it does not touch any hot or wet areas. Damage will be done to the power cord.

Let the unit cool down completely.

**CAUTION!**

Do not use any water to clean the control panel. Thereby, ensure no water inside the unit. Thoroughly dry off the unit before operating the unit again!

Control panel, surface of the device and power cord should only be wiped off with a piece of soft cloth dipping a mild cleaning detergent solution. You must not let water enter the switching unit. This may lead to dangerous creepage current and malfunctions of the appliance.

Do not use any aggressive cleaning agents or abrasive materials as these could damage the protecting film of the stainless steel and leave the iron particles on the surface of the unit, which can cause rust.

All parts must be dried thoroughly and reassemble the parts of unit, which have been dismantled for cleaning.

Do not use a water jet to clean the unit. The unit has not been weather-proofed.

Store the device in a dry and ventilated place if the unit stays idle for a long time. Keep it away from acid steams and caustic gases.

### **6.4 Safety instructions for maintenance**

- Check the power cord for damage periodically. Never operate the unit when the power cord has been damaged or broken. If the power cord shows the above signs, call a qualified electrician for replacement. It is highly recommended that the replaced power cord should be the special type designated by the manufacturer. Damage may be done to the whole unit and its internal wire if the wrong type of power cord has been used for replacement.
- Only qualified electrician or personnel may perform the repairmen of the unit. All the necessary replaced parts have to be the types designated by the manufacturer. Never attempt to repair the unit on your own. Danger may occur if failed to do so.

### **7. Waste disposal**

Discarding old devices

At the end of its service life the discarded device has to be disposed in accordance to the national regulations. It is advisable to contact a company which is specialized in waste disposal, or just contact the local disposal service in your community.

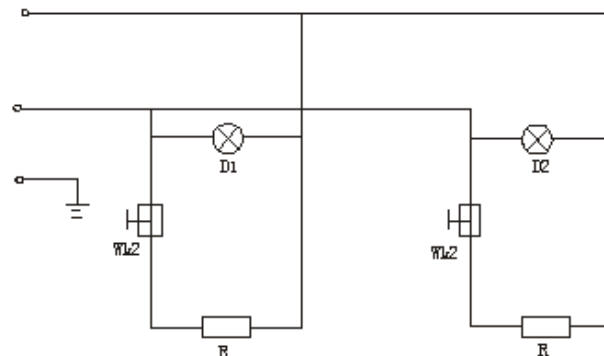
## WARNING!

To exclude any abuse and the dangers involved make the waste device unfit for use before disposal. For that purpose disconnect device from mains supply and remove mains connection cable from the device.

## NOTE!

For the disposal of the device please consider and act according to the national and local rules and regulations.

## 8. Circuit diagram (FSECM-0905)



## 9. Daily checking

Check the appliance before and after use. Before using, make sure the appliance dose not lean. Be certain that the power cord is not worn out or broken. When in use, make sure no unpleasant smell is present and there is no any unusual noise.

This manual must be read and understood by all persons using or installing this appliance. Contact your local dealer if you have any questions concerning installation, operation or maintenance of this equipment.

### **IMPORTANT: DO NOT DISCARD THIS MANUAL**

This manual is considered to be part of the appliance and is to be given to the owner or manager of the hotel or restaurant, or to the person responsible for training operators of this appliance. It should be retained for future reference. Additional manuals are available from your local dealer.